

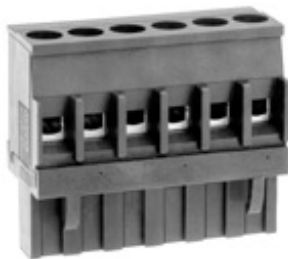
Plug-in Screw Connector System for Printed Circuit Boards

TYPE 120-D-121

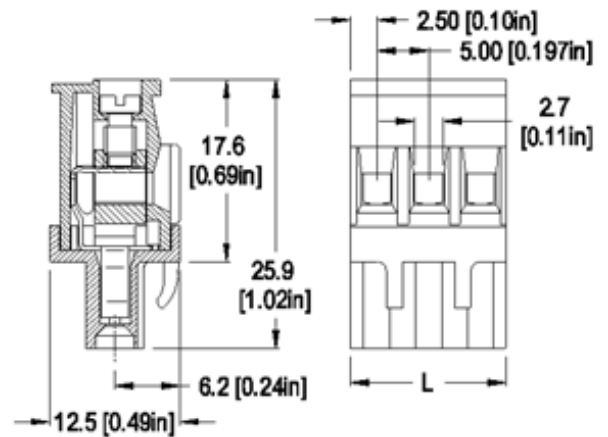
5 mm spacing - 2 to 24 poles



Series	Download PDF	3D Model	Can plug with	How to order	Color specifications	Print
--------	--------------	----------	---------------	--------------	----------------------	-------



120-D-121



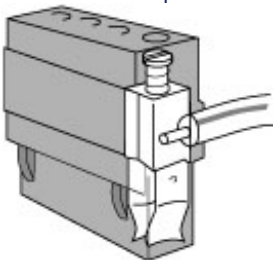
Dimensions: mm (in.)

Length of Connector (L)

L = No. of Poles x Center to Center Spacing

When locating connector, allow 0.5 mm clearance around it for process-induced variations.

One possible variation of assembly



Typical Application



RoHS WEEE Pb free compliant

Approval Information

UL File No.E69841

CSA File No.LR24322

Rating	Current(A)	Voltage(V)	Application group	AWG
UL	15	300	B	26-12
UL	10	300	D	26-12
CSA	10	300	B,D,E	26-12

* UL: 24-26 AWG range for factory wiring only.

Screw Tightening Torque:

UL: 4.5 lbf·in

CSA: 0.51 Nm

International Approvals:



Rated Impulse Withstand Voltage: 2500 V

Description

- Plug
- Plug-In Direction Perpendicular to PCB and Wire Entrance Parallel to PCB when plugged with **120-M-121 /-221, 120-M-221-SMD, 120-M-221-THR, 120-M-161 /-261, 120-M-163 /-263, 120-M-227, 120-M-227-SMD** and **120-M-191 /-291**
- Plug-In Direction Parallel to PCB and Wire Entrance Perpendicular to PCB when plugged with **120-M-181 /-281, 120-M-111 /-211**
- Retention clips on same side as wire entry

Technical Data

Center to Center Spacing: 5 mm (0.197 in.)

Nominal Cross Section:

2.5 mm² (3874 mils²)

Wire Stripping Length: 7 mm (0.28 in.)

Illustration



Coding keys **120-K** are available to prevent the insertion of the wrong plug into a header. These are usually field inserted but can be factory installed if required.

[Top of page](#)

Material

Molding: Polyamide, self extinguishing UL 94, V-0, color grey

Temperature limits:

Short Time: 140°C (284°F)

Continuous: RTI 105°C (221°F)

Low Limit: -40°C (-40°F)

Comparative Tracking Index: CTI > 600

Oxygen Index Rating: 33%

Terminal Body: Nickel plated copper alloy

Wire Protector and Contact Spring: Tin plated copper alloy

Screw: M3, Slotted head, zinc plated blue passivated, steel substrate

How to order

Item 120-D-121

Options

CN: Consecutive Numbering (hot stamped numbers)

SM: Special Marking (please provide sketch)

BS: Copper Alloy Screw

PS: Clear Chromate Passivated, zinc plated, Steel Screws

G05: Gold Plating (5 micro inches)

G30: Gold Plating (30 micro inches)

S30: Silver Plating (30 micro inches)

SRF: Strain Relief (available for 2 to 8 poles only)

Note: Plated component: contact spring

Ordering Note: Voltage rating for 10 mm spacing is UL certified for 15A - 300V / C and for 5A - 600V / D and CSA certified for 600 / D,E (120-D-122).

120-D-121/

POLES:
02 to 24

[Request sample](#)

[Request quote](#)

Quantity

Accessories

[BST Self Adhesive Marking Strips.](#)

[Consecutively numbered.](#)

[Jumper, Type 970-J1.](#)

[Add to shopping cart](#)